



# Hague Main Faucet Filter

HW-MF-14



**OWNER'S MANUAL & INSTALLATION GUIDE**



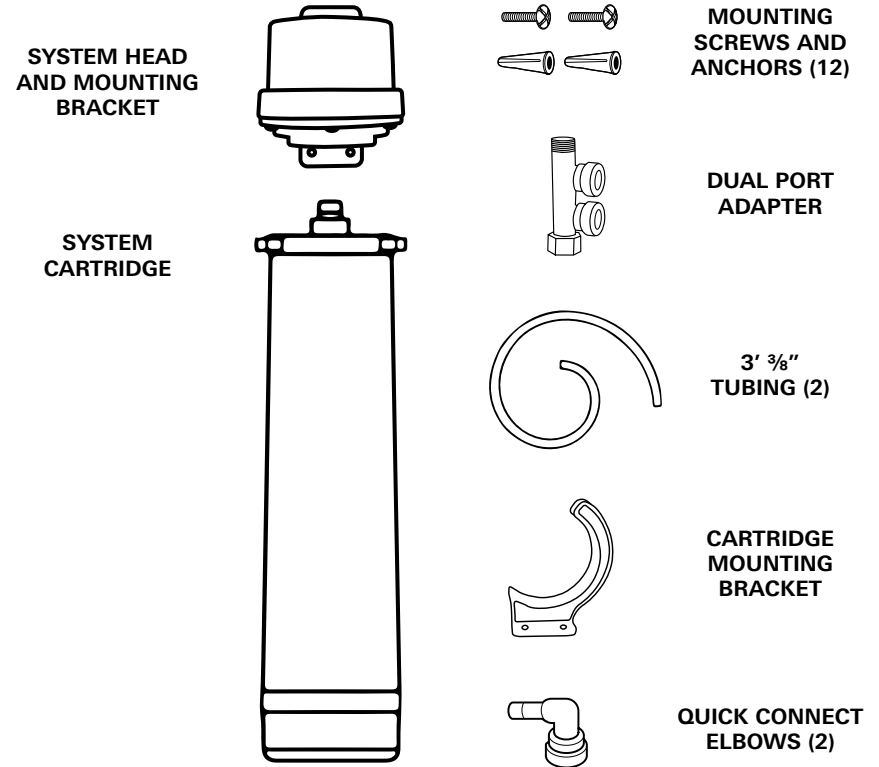
Congratulations on choosing a superior Hague water filter!  
 Use this guide to attain the maximum benefit from your water filter.  
 As an owner, you may find the first few pages to be the most helpful in solving your needs.

If you have trouble with the operation of your water filter,  
 please contact your independent Hague dealer.

**CONTENTS**

Box Contents.....1  
 Installation Guide.....2  
 Care & Maintenance / Performance Data.....4  
 Warranty.....5

**BOX CONTENTS**



**TOOLS RECOMMENDED FOR INSTALLATION:**

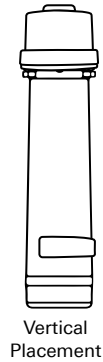
- Variable speed drill with 7/32" bit
- Adjustable wrench
- Measuring tape
- Level
- Phillips head screwdriver
- Pencil

*Note: We recommend using an approved or certified professional if drilling is required.*

# INSTALLATION GUIDE

## INSTALLATION OPTIONS

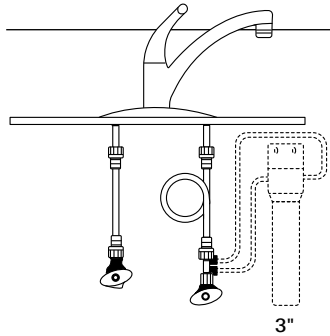
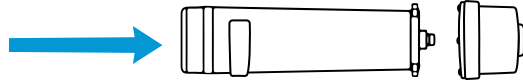
1. Vertical
2. Horizontal wall mount
3. Horizontal floor mount



Horizontal wall & floor placement

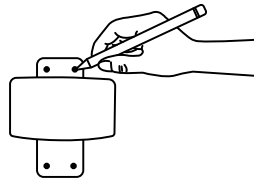
## INSTALLATION STEPS

- 1 Attach System Head to Cartridge to help determine under sink placement.



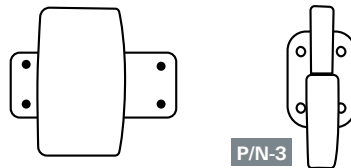
- 2 Locate a suitable area under the sink to mount the system, noting that at least three (3) inches of clearance from the base of the cartridge is needed for easy cartridge replacement. The System Head must be installed less than three (3) feet from the cold-water inlet valve.

- 3 After determining placement, remove Cartridge from System Head. Place System Head in desired mounting location and use a level and a pencil to mark all four (4) screw holes.

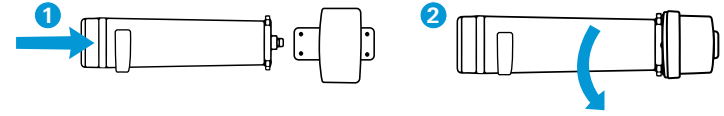


- 4 After penciling in the mounting placement, use a 7/32" drill bit to drill holes for plastic anchors. Carefully tap anchors into the drilled hole with a hammer.

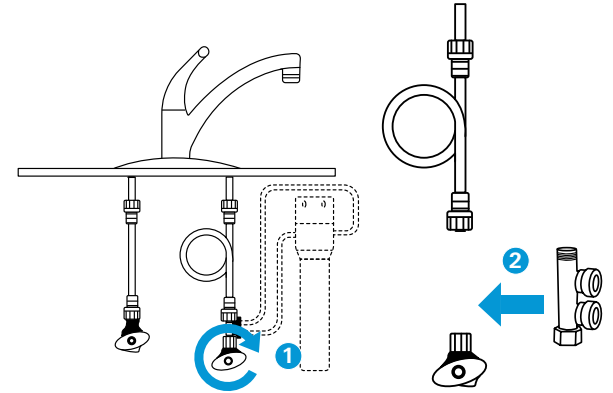
- 5 Using a Phillips head screwdriver, mount the System Head and Cartridge Mounting Bracket using the provided screws. Ensure the bracket is mounted toward the end of the system sump for maximum support.



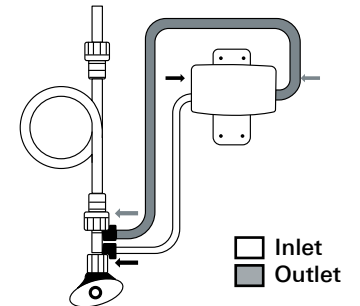
- 6 Place Cartridge into bracket and connect to System Head.



- 7 Turn off cold water supply using an adjustable wrench, disconnect the cold water line. Attach Dual Port Adapter to shutoff valve and re-attach cold water line to the Dual Port Adapter.

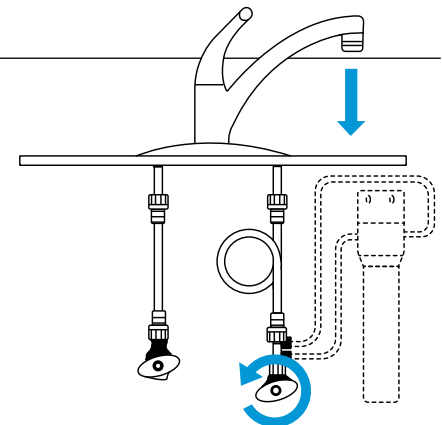


- 8 Connect 3/8" tubing to the bottom port. Measure tubing to system inlet (marked "IN") and cut to length. Repeat this step for the top port and outlet (marked "OUT").



- 9 Use 3/8" quick connect elbows, if necessary.

- 10 Once tubing is installed, turn on COLD water kitchen faucet. With faucet on, slowly turn on the cold water supply.



- 11 Flush cartridge for 15 minutes or until water is clear of carbon fines.

## CARE & MAINTENANCE / PERFORMANCE DATA

### HW-MF-14-R

Replacement cartridge HW-MF-14-R
Rated service flow 2.0 gpm (7.57lpm)
Max capacity 7900 gallons (29,904 l)
Min working pressure 10 psi (137.85 kph)
Max working pressure 125 psi (551.58 kph)
Min operating temperature 35 °F (4.44 °C)
Max operating temperature 100 °F (32.22 °C)

To clean your filter unit, wipe down the exterior with a damp cloth.

#### Safeguards

- Use only cold water with filter.
- If you experience a hose connection leak, disconnect and re-seat the hose.


### PERFORMANCE DATA SHEET FOR THE HAGUE MAIN FAUCET WATER FILTER


Models	Replacement	Operating pressure range	Rated capacity	Operating temp. range	Rated flow
HW-MF-14	HW-MF-14-R	10-125 psi 68.95-861.8 kPa	7900 gallons 29,904 liters	35-100 F 1.66-37.78 C	2.0 gpm 7.57 lpm v
Manufactured by: Hague Quality Water International 4343 S. Hamilton Road   Groveport, Ohio   614.836.2115					


Testing Performed under NSF/ANSI Standards 42 and 53 and in accordance with the California Department of Health Services Drinking Water Treatment Device Program. This system has been tested according to NSF/ANSI 42 and 53 for reduction of the substances listed below. The concentration of the indicated substances in water entering the system was reduced to a concentration less than or equal to the permissible limit for water leaving the system, as specified in NSF/ANSI 42 and 53.


NSF/ANSI 42	MIN REDUCTION	OVERALL % REDUCTION	RESULTS
Chlorine Reduction, Free Available	<0.5 mg/l	96.06%	Pass
Chloramine Reduction, Free Available	<0.5 mg/l	96.06%	Pass
Particulate Reduction	85%	99.9%	Pass


NSF/ANSI 53	MIN REDUCTION	OVERALL % REDUCTION	RESULTS
Cyst Live Cryptosporidium & Giardia	99.95%	>99.95%	Pass
Lead Reduction pH 6.5	<10 ug/L	>99.4%	Pass
Lead Reduction pH 8.5	<10 ug/L	>99.3%	Pass

 Filter is only to be used with cold water.

 Filter usage must comply with all state and local laws.

 Testing was performed under standard laboratory conditions, actual performance may vary.

 Systems certified for cyst reduction may be used on disinfected waters that may contain filterable cysts.

 See owner's manual for general installation conditions and needs plus manufacturer's limited warranty.

- All contaminants reduced by this filter are listed.
- Not all contaminants listed may be present in your water.
- Does not remove all contaminants that may be present in tap water.



System Tested and Certified by IAPMO R&T lab and IAPMO R&T against NSF/ANSI Standards 42 and 53 and conforms to NSF Protocol as verified and substantiated by test data. Please refer to Performance Data Sheet for specific contaminant reductions.



For use with municipally treated water only. Do not use with water that is microbiologically unsafe or of unknown water quality without adequate disinfection before or after the system.

Do not use with water that is microbiologically unsafe or of unknown water quality without adequate disinfection before or after the system. Systems certified for cyst reduction may be used on disinfected waters that may contain filterable cysts.

## LIMITED 1 YEAR WARRANTY

### WHAT IS COVERED:

This warranty covers defects in materials or workmanship in manufacturing of your Hague drinking water filter system, except as provided below.

### FOR HOW LONG:

This warranty runs for 365 days from the date of purchase by a consumer ("Warranty Period").

### WHAT IS NOT COVERED:

This warranty does not cover filter cartridges and any products that were not installed in compliance with the instructions or that have been abused or operated incorrectly. The limited warranty stated herein is in lieu of any and all warranties, express or implied, whether written or oral, including but not limited to the implied warranties of fitness for a particular purpose or the implied warranty of merchantability. Hague shall not be liable for any incidental, consequential, special or contingent damages arising directly or indirectly from any defect or the use of the system. Owner shall be responsible for all labor and any other expenses related to the removal, repair or installation of the filtration system or any component part. Finally, this warranty is voided if the product is used with parts that are not genuine Hague parts. This includes, but is not limited to: replacement filters, faucets, and diverter valves.

### WHAT HAGUE WILL DO:

All defective parts must be returned, along with the equipment serial number and date of original installation, to an authorized Hague dealer or Hague Quality Water International PREPAID, and replacement parts will be returned by Hague FREIGHT COLLECT.

### HOW TO GET SERVICE:

Should a defect or malfunction occur, contact your dealer. If you are unable to contact your dealer, then contact Hague Quality Water International.

### HOW STATE LAW APPLIES:

Some states do not allow limitations on how long an implied warranty lasts or the exclusion or limitation of incidental or consequential damages, so the above limitations and exclusion may not apply to you. This warranty gives you specific legal rights, and you may also have other rights which vary from state to state.

### WARRANTY CARD:

To place the equipment under warranty, the warranty registration card must be completed and returned by the original owner to the warrantor, Hague Quality Water International, within 30 days of installation. 4343 South Hamilton Road. Groveport, OH 43125.

### FURTHER EXCLUSIONS AND LIMITATIONS ON WARRANTY:

This warranty is null and void unless the Hague Appliance was purchased from an independent Hague dealer. No dealer, agent, representative, or other person is authorized to extend or expand this limited warranty.



4343 S. Hamilton Road | Groveport, OH 43125 | 614-836-2115



System Tested and Certified by IAPMO R&T lab and IAPMO R&T against NSF/ANSI Standards 42 and 53 and conforms to NSF Protocol as verified and substantiated by test data. Please refer to Performance Data Sheet for specific contaminant reductions.